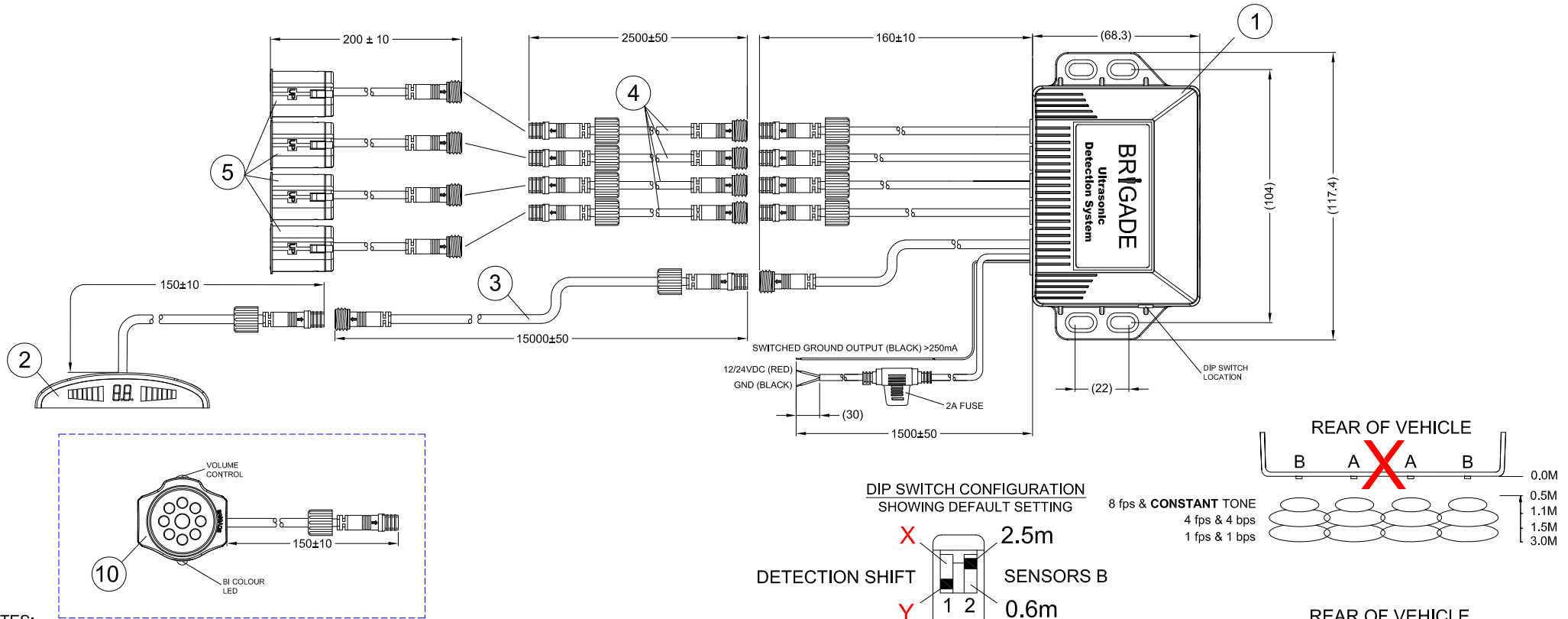


ITEM	PART NUMBER	QTY	DESCRIPTION
1	(3745)	1	BS-4000W-ECU
2	(3749)	1	UDS-001DP
3	(3746)	1	UDS-15BC
4	(3719)	4	UDS-2.5SC
5	(3718)	4	UDS-000HSS
6	(3721)	4	UDS-00SS (NOT SHOWN)
7	(3723)	4	UDS-11SS (NOT SHOWN)
8	(3727)	4	UDS-00SMP (NOT SHOWN)
9	(3726)	4	UDS-00SM (NOT SHOWN)
10	(3715)	1	UDS-001BZ (OPTIONAL)

Revision Notes.			
1. DISPLAY CABLE LENGTH CORRECTED.			
Checked By: B.CHILDS	Approved By: D.KERALI	Date Released: 25.09.2012	
2. NOTES UPDATED TO INCLUDE DEFAULT DIP SWITCH POSITION.			
Drawn: M.B	Checked: B.C	Approved: B.J	Date: 03/05/13



NOTES:

- ALL AUDIBLE WARNINGS ARE MEASURED IN BEEPS PER SECOND (bps).
- VISUAL WARNING IS NUMERICAL AND IN METRES WITH COLOURED SEGMENTS LEFT AND RIGHT.
- ON START-UP THE SYSTEM WILL BEEP ONCE FOR ONE FAULTY SENSOR, TWICE FOR TWO FAULTY SENSORS ETC.,
- THE ECU IS FULLY POTTED.
- DIP SWITCH 1 SWITCHES DETECTION BETWEEN (X & Y), DEFAULT POSITION IS Y.
(HOWEVER THE UDS-DISPLAYS RANGE WILL ALWAYS SHOW 0.0 - 2.5m.)
- DIP SWITCH 2 SWITCHES OUTER SENSORS BETWEEN 0.6M & 2.5M, DEFAULT POSITION IS 2.5M.
- DETECTION CAN BE SHIFTED 0.5m AWAY FROM THE SENSORS. TO ACCOMMODATE UNDERBODY FITMENT.(X & Y)
- GROUND OUTPUT ON BLACK WIRE OPERATES DURING DETECTION.(MAXIMUM CURRENT 250mA)
- SEE COMPONENT DRAWINGS FOR COMPONENT DETAIL.

PROPRIETARY NOTICE

THIS DESIGN AND TECHNICAL INFORMATION APPEARING ON THIS DRAWING IS THE PROPERTY OF BRIGADE ELECTRONICS, AND IS DISCLOSED IN CONFIDENCE. IT IS NOT TO BE COPIED, REPRODUCED, REVEALED TO OR EXPROPRIATED BY OTHERS, EITHER IN WHOLE OR IN PART WITHOUT THE EXPRESS WRITTEN CONSENT OF BRIGADE ELECTRONICS.

BRIGADE®
www.brigade-electronics.com

Assembly Pl Approval LEE QG	Approved by S.MATTHEWS	Checked by J.NEWMAN	Drawn by M.POTTER
Angle of Projection 	Units mm	Scale N/A	Released 29/02/12
Status RELEASED	Assembly Ref CEC-10015-10		
Part No. 3744	BS-4000W BE-001641-02-11		